

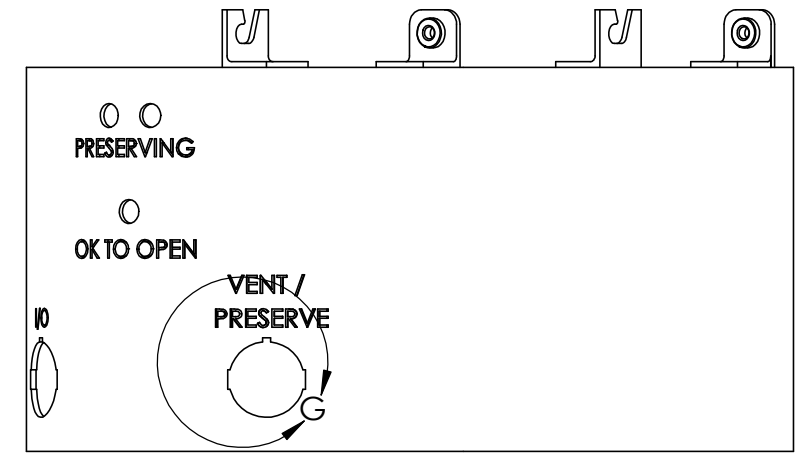
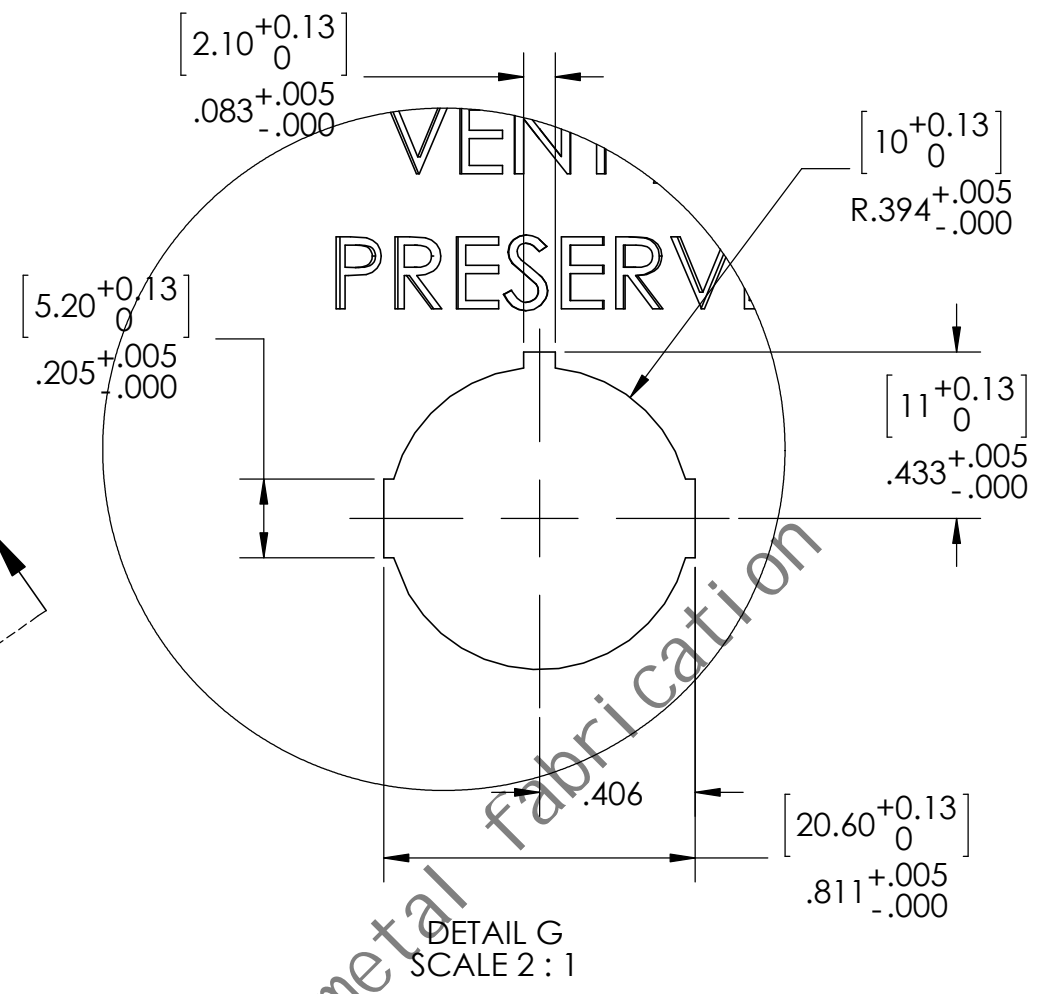
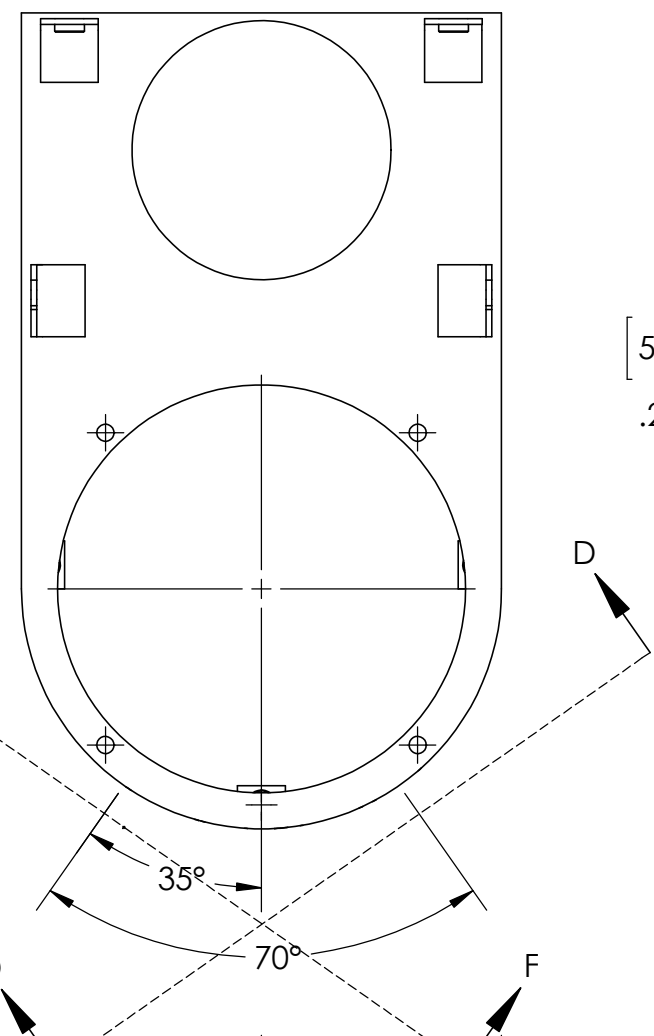
4

3

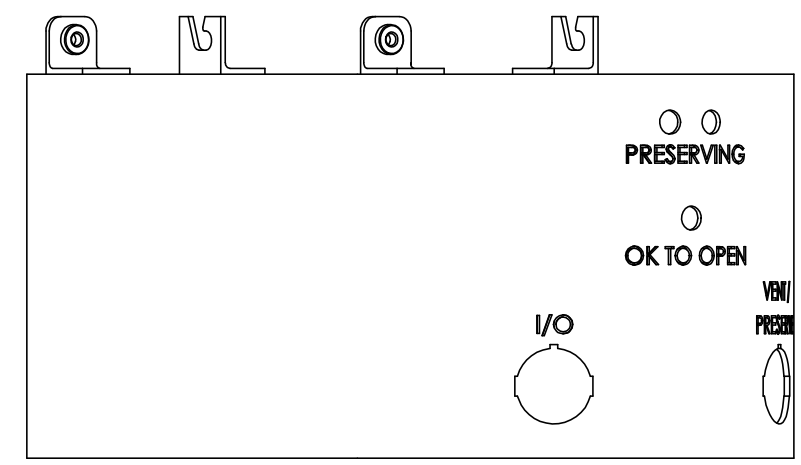
2

1

VIEW A
ROTATED 90°
旋转90度

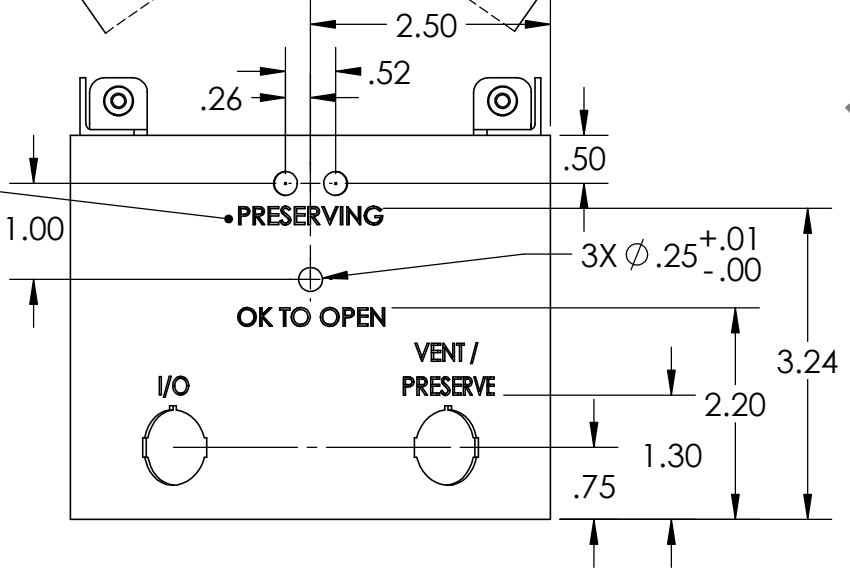


VIEW D-D
35.00°
SCALE 1 : 2



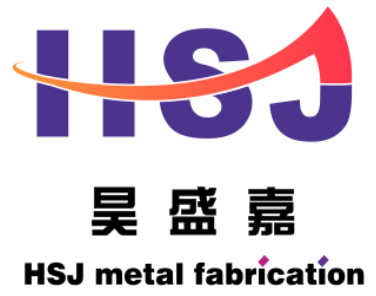
VIEW F-F
35.00°
SCALE 1 : 2

丝印
TEXT, SILKSCREEN
.19 HIGH HELVETICA,
WHITE
白色



DETAIL G
SCALE 2 : 1

		UNLESS OTHERWISE SPECIFIED:	NAME	DATE
		DIMENSIONS ARE IN INCHES	DRAWN	
		TOLERANCES:	CHECKED	
		ANGULAR: MACH ± 1° BEND ± 2°	ENG APPR.	
		TWO PLACE DECIMAL ±.010	MFG APPR.	
		THREE PLACE DECIMAL ±.005	Q.A.	
		INTERPRET GEOMETRIC TOLERANCING PER: ASME Y14.5	COMMENTS:	
		MATERIAL		
NEXT ASSY	USED ON	FINISH		
APPLICATION		DO NOT SCALE DRAWING		



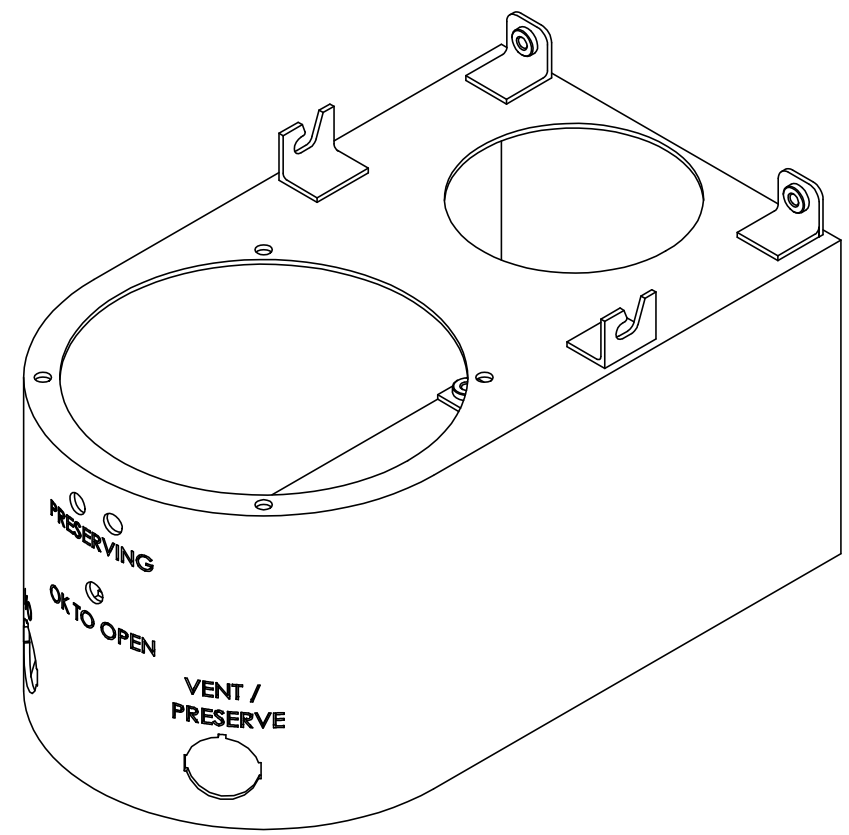
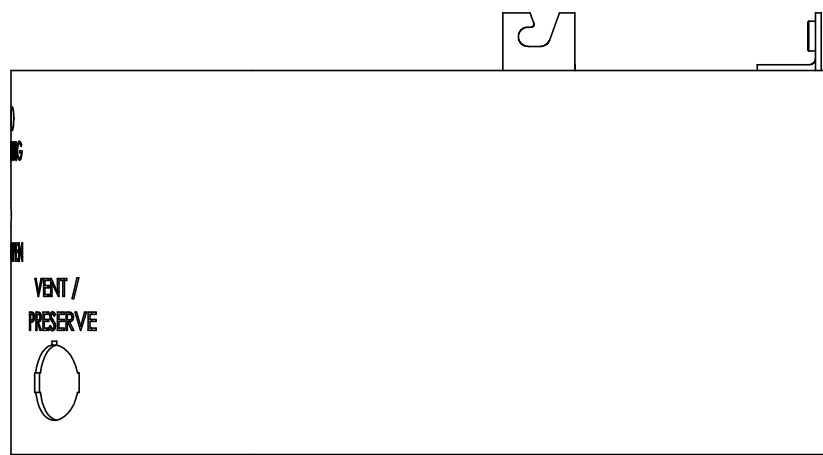
REV
A

4

3

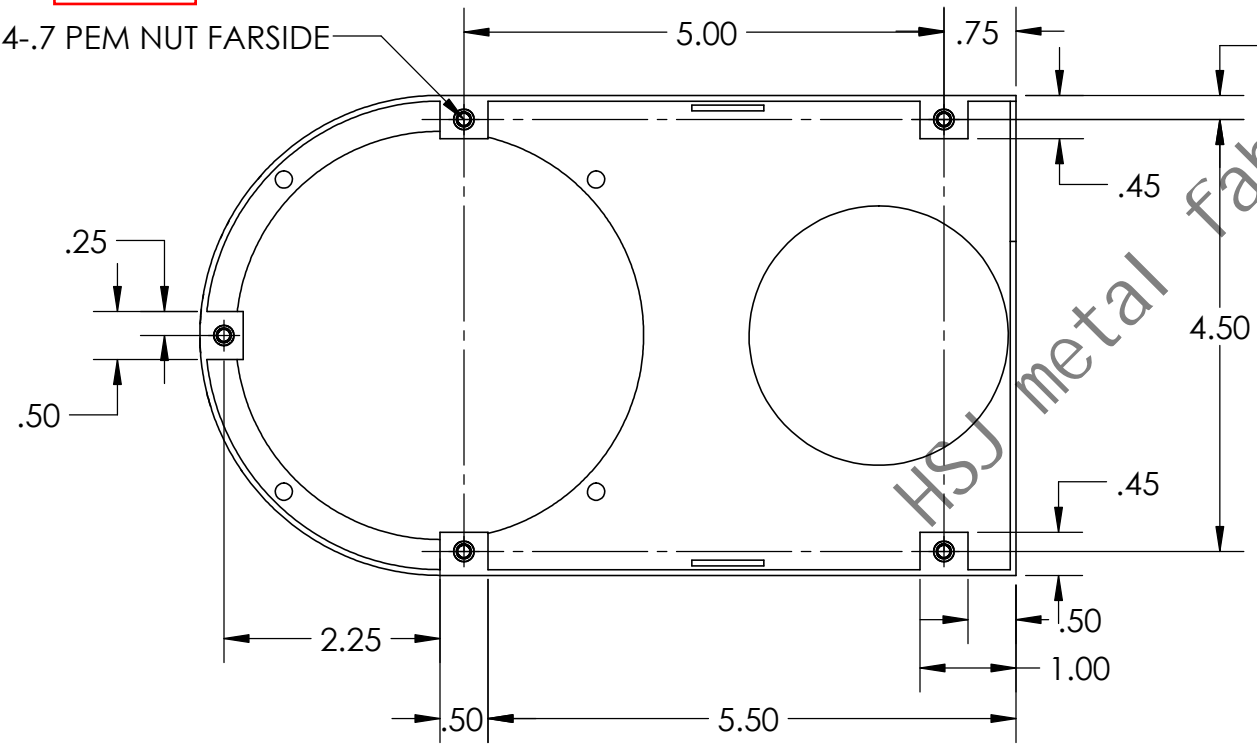
2

1



压铆螺母

5X M4-.7 PEM NUT FARSIDE



VIEW A

			NAME	DATE
			DRAWN	
			CHECKED	
			ENG APPR.	
			MFG APPR.	
			Q.A.	
			COMMENTS:	
NEXT ASSY	USED ON	FINISH		
APPLICATION		DO NOT SCALE DRAWING		



昊盛嘉

HSJ metal fabrication

4

3

2

1

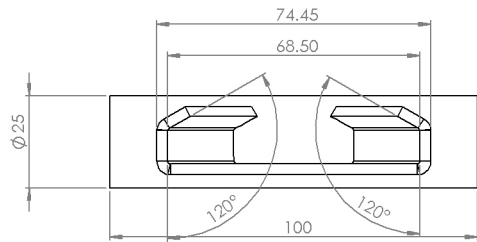
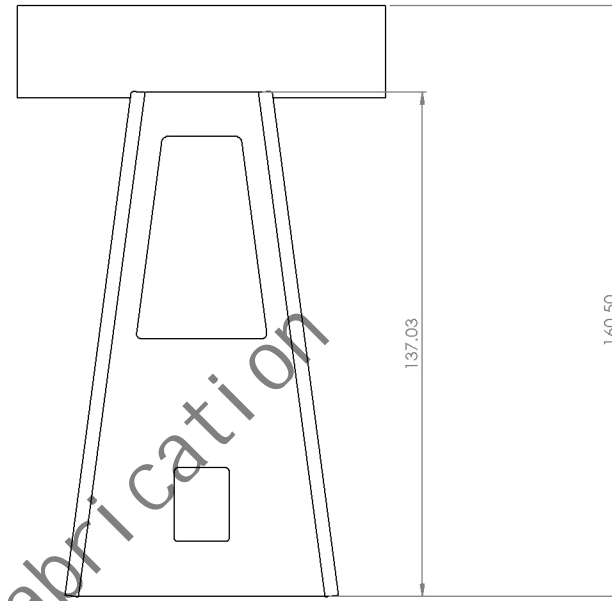
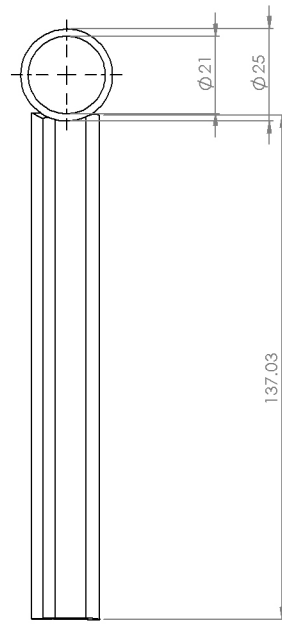
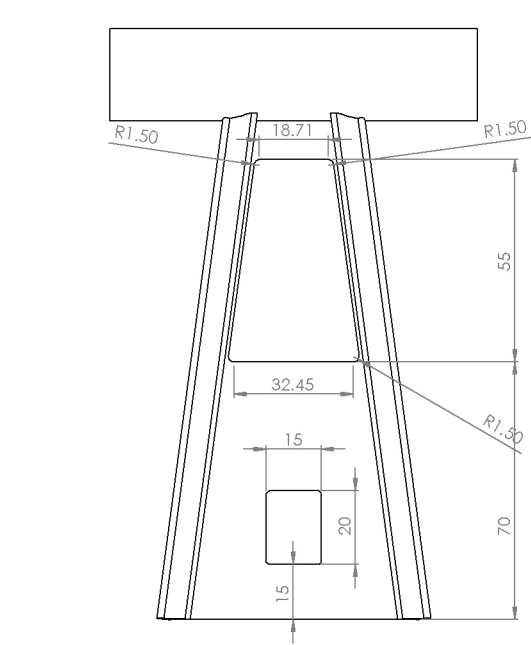
B

B

A



昊盛嘉
HSJ metal fabrication



HSJ metal fabrication

YXPO160845(jack)6#
材料：铝5052

表处：喷砂黑色氧化

